



For achieving the correct radial clearance

SKF Bearing Lock Nut Spanner TMHN 7 series

The SKF TMHN 7 set of lock nut spanners is especially designed for mounting self-aligning ball bearings as well as small spherical roller and CARB toroidal roller bearings on tapered seatings. Using the SKF TMHN 7, minimises the risk of over-tightening of the lock nut, which can remove the bearing's radial clearance resulting in bearing damage.

- 7 different-sized spanners to fit nut sizes 5 to 11
- Each spanner is clearly marked with correct tightening angle and protractor
- 4 grip points on each spanner provide a better and safer grip on the nut
- Reduced risk of damaging bearing by over-tightening
- Suitable for use with lock nuts of the KM series either on shaft or in SNL housings



TMHN 7 is suitable for use with:

Bearing designation

1205 EK-1211 EK

1306 EK-1311 EK

2205 EK-2211 EK

2306 K

2307 EK-2309 EK

2310 K-2311 K

Technical data

Designation

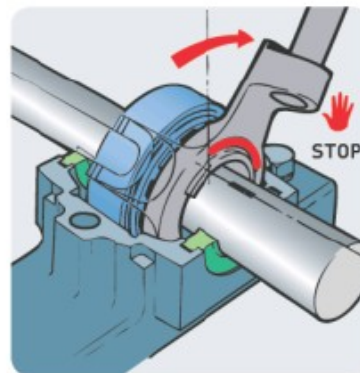
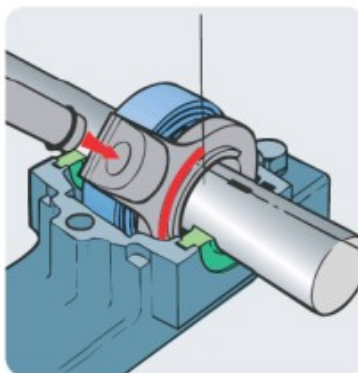
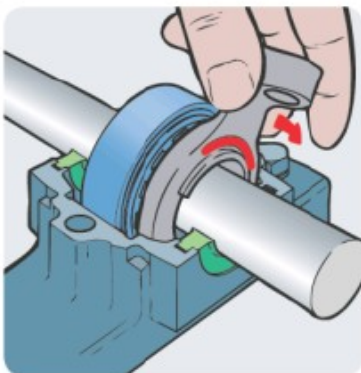
TMHN 7

Dimensions of case (w x d x h)

340 x 250 x 80 mm
(13.4 x 9.8 x 3.1 in.)

Weight

2,2 kg (4.7 lb)



SKF

17

This document was created with Win2PDF available at <http://www.win2pdf.com>.
The unregistered version of Win2PDF is for evaluation or non-commercial use only.
This page will not be added after purchasing Win2PDF.